

ILLUSTRATED PARTS LIST

18595A1

KOHLER K181 SPEC 30531D

FOR 408 TRACTOR



A DIVISION OF CLARKE-GRAVELY CORPORATION

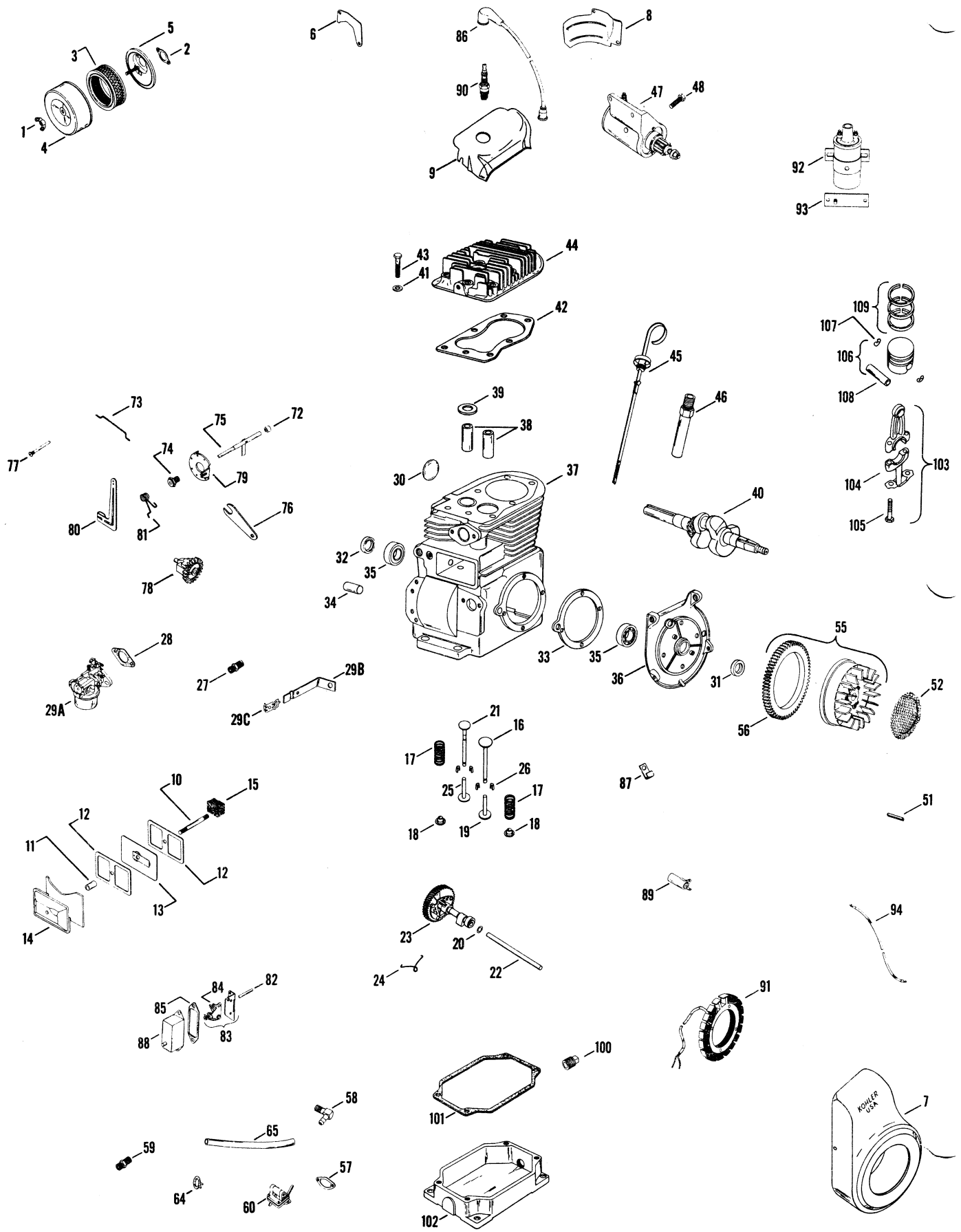
GRAVELY LANE

CLEMMONS, N. C. 27012

Form No: 20886L1
Effective Date: 9-1-74

PRINTED IN USA

EXPLODED VIEW SPEC. 30531D



ITEM NO.	KOHLER PART NO.	GRAVELY PART NO.	DESCRIPTION	ITEM NO.	KOHLER PART NO.	GRAVELY PART NO.	DESCRIPTION
<u>INTAKE GROUP</u>				<u>FLYWHEEL GROUP</u>			
	X-167-1	159582	Screw, Mach 8-32 x 3/8 Pan Hd		X-25-15	121574	Washer Lock 5/8 SP
	X-276-7	10413P1	Nut, Wing 1/4-20 Washer Insert		X-25-68	20205P1	Washer
2	220537	15372P1	Gasket		X-119-14	10952P1	Nut Lock 5/8-18
3	230840	20299P1	Element, Air Cleaner		X-166-2	153777	Screw 1/4-20 x 5/8 Fill HD
4	230839	20198P1	Cover, Air Cleaner	51	X-286-15	15987P1	Key, Sq 3/16 x 1-3/8
5	230838	20197P1	Base, Air Cleaner	52	234392	18618P1	Screen, Grass
				55	A-234807	18619P1	Flywheel-Assembly
				56	232649	18620P1	Gear, Ring
<u>BAFFLES AND SHROUD GROUP</u>				<u>FUEL PUMP GROUP</u>			
	X-25-53	120392	Washer, Flat 9/32 x 5/8 x .065		X-161-2	132259	Screw Mach 1/4-20 x 5/8 Fill HD
	X-132-2	180020	Bolt Hex 1/4-20 x 3/4	57	4704101	10820P1	Gasket, Fuel Pump
	X-132-6	180016	Bolt Hex 1/4-20 x 1/2	58	X-391-1	14745P1	Elbow, Hose
6	230757	15377P1	Baffle, Side Air	59	231509	10936P1	Connector
7	234315	18607P1	Housing, Blower	60	A-231796	15424A1	Pump, Fuel Assembly
8	234795	15380P1	Baffle, Cylindrical	64	X-309-14	7216P1	Clamp, Fuel Hose
9	234796	15379P1	Baffle, Head	65	X-697-6	20214P1	Line, Fuel
<u>BREATHER AND VENT GROUP</u>				<u>GOVERNOR GROUP</u>			
	X-20-1	120380	Washer, Lock 1/4 SP		X-25-12	131015	Washer Flat 3/16 x 7/16 x .049
	X-81-1	9419454	Nut, Lock 1/4-20 Washer Insert		X-400-81	20221P1	Spacer
10	230043	15381P1	Stud, Valve Cover		234866	11647P1	Bearing, Needle
11	230046	15382P1	Seal, Breather	72	230078	15426P1	Linkage, Governor
12	230048	15383P1	Gasket, Valve Cover	74	230476	15427P1	Bushing, Governor
13	A-230066	18608P1	Breather Assembly	75	4142001	20222P1	Shaft, Governor Cross
14	A-234678	15385P1	Cover, Valve Assembly	76	230477	18623P1	Bracket, Speed Control
15	231419	15386P1	Filter	77	231355	10833P1	Pin, Governor Stop
				78	A-237031	15430P1	Gear, Governor
				79	230149	15431P1	Disc, Regulating
				80	A-234178	20223P1	Lever, Governor
				81	232617	15433P1	Spring, Governor
<u>CAMSHAFT AND VALVES GROUP</u>				<u>IGNITION GROUP</u>			
16	230008	15389P1	Valve, Intake		X-22-9	14773P1	Washer, Special
17	230010	15390P1	Spring, Valve		X-116-4	153315	Screw Mach 10-24 x 1 Fill HD
18	230011	10781P1	Retainer, Spring		X-131-1	133556	Screw, Mach 10-24 x 3/8
19	230013	15391P1	Tappet, Intake Valve		X-132-6	180016	Bolt Hex 1/4-20 x 1/2
20	230293	15392P1	Spacer, Camshaft .005	82	X-489-2	20224P1	Rod, Breaker
20	230294	15393P1	Spacer, Camshaft .010	83	A-220474	15435P1	Breaker Assembly
21	230710	15398P1	Valve, Exhaust	84	A-220474	15435P1	Points, Set
22	230053	15399P1	Pin, Camshaft	85	220174	10839P1	Gasket, Cover
23	D-232797	18609P1	Camshaft Assembly	86	238057	11822P1	Cable, High Tension
24	4708901	10947P1	Spring, Actuating	87	230249	15436P1	Clip, Cable
25	232777	15401P1	Tappet, Exhaust Valve	88	232555	10841P1	Cover, Breaker
26	240013	10785P1	Keeper, Spring	89	230722	11824P1	Condenser
				90	270321-S	18627P1	Plug, Spark
				91	237878	18626P1	Stator
				92	237256	18634P1	Coil, Ignition
				93	234994	20226P1	Plate, Coil Mounting
				94	238054	14860P1	Lead, Breaker
					231879	19556P1	Bracket
					237757	19899P1	Connector
<u>URETOR GROUP</u>				<u>OIL PAN GROUP</u>			
	X-140-1	160541	Screw Mach 1/4-20 x 3/4 Pan Hd		X-75-10	103879	Plug, Pipe 3/8 Sq HD
27	231509	10936P1	Connector		X-154-3	180080	Bolt Hex 5/16-18 x 1-1/8
28	210223	15402P1	Gasket, Carburetor	101	230057	18628P1	Gasket, Pan
29A	B-231739	15403P1	Carburetor Assembly	102	231594	18629P1	Pan, Oil
	200443	10930P1	Needle and Seat				
	231555	10792P1	Kit, Carburetor Repair				
29B	A-236918	10789P1	Bracket, Chokey				
29C	235603	7331P1	Clip, Speed				
<u>CRANKCASE GROUP</u>				<u>PISTON AND ROD GROUP</u>			
	X-132-2	180020	Bolt Hex 1/4-20 x 3/4		A-231801	15451P1	Rod, Connecting STD
30	X-230-11	10948P1	Plug, Expansion		A-231801-10	15452P1	Rod, Connecting .010
31	X-583-1	15404P1	Seal, Front Oil	104	230525	15632P1	Lock, Connecting Rod
32	X-582-2	15405P1	Seal, Rear Oil	105	230526	15633P1	Screw
33	230071	15406P1	Gasket, Bearing Plate	106	A-234950	15989P1	Piston Assembly STD
34	230125-S	15410P1	Shaft, Governor		A-234954	15448P1	Piston Assembly .010
35	231625	15407P1	Bearing, Ball		A-234956	15449P1	Piston Assembly .020
36	234594	18612P1	Plate, Bearing		A-234958	15450P1	Piston Assembly .030
37	B-234989	18636P1	Miniblock K181		230004	15628P1	Retainer, Pin
38	230007-S	18614P1	Guide, Valve	107	231956	15629P1	Pin, Piston STD
39	230170-S	12150P1	Insert, Exhaust Valve	108	231954	15630P1	Pin, Piston .005
					231955	15631P1	Pin, Piston .010
				109	232575	15443P1	Ring Set STD
					232576	15444P1	Ring Set .010
					232577	15445P1	Ring Set .020
					232578	15446P1	Ring Set .030
					230165	15454P1	Gasket, Set
<u>CRANKSHAFT GROUP</u>							
40	231761	18615P1	Crankshaft				
<u>CYLINDER HEAD GROUP</u>							
41	220534	15412P1	Washer				
42	230024	15413P1	Gasket, Head				
43	230175	180083	Bolt Hex 5/16-18 x 1-1/2				
44	230402	15414P1	Head, Cylinder				
<u>DIPSTICK GROUP</u>							
45	A-231495	18617P1	Dipstick				
46	221264	20204P1	Adapter, Stick				
<u>RIC START GROUP</u>							
	X-22-1	120381	Washer Lock 3/8 SP				
	X-22-11	138542	Washer				
	X-81-1	9419454	Nut Lock 1/4-20 Washer Insert				
47	4109801	18637A1	Starter				
	237367	18610P1	Kit, Brush and Spring				
48	234947	19546P1	Screw H.C. 3/8-16				